

BLANKE CORNER ANGLE

The BLANKE CORNER ANGLES are designed where tiled wall corners need to be protected from mechanical impact in industrial and professional environments. The stainless steel profile creates a strong edge with a clean and decorative finish for outside wall corners. The double-backed glue strips allow BLANKE CORNER ANGLE profiles to adhere directly to the wall tile for easy installation.

STAINLESS STEEL 8.0 BRUSHED, WITH GLUE STRIP

Length: 8.0 feet Pack: 1 pc.

h/in.	Part no.	\$/pc.
1 $\frac{3}{16}$ × 1 $\frac{3}{16}$	364-280-03025	103.52
1 $\frac{3}{8}$ × 1 $\frac{3}{8}$	364-280-04025	130.36
2 $\frac{3}{25}$ × 2 $\frac{3}{25}$	364-280-06025	157.19

STAINLESS STEEL 6.7 BRUSHED, WITH GLUE STRIP

Length: 6.7 feet Pack: 1 pc.

h/in.	Part no.	\$/pc.
1 $\frac{3}{16}$ × 1 $\frac{3}{16}$	364-280-0302	96.69
1 $\frac{3}{8}$ × 1 $\frac{3}{8}$	364-280-0402	118.27
2 $\frac{3}{25}$ × 2 $\frac{3}{25}$	364-280-0602	144.31

STAINLESS STEEL 4.11 BRUSHED, WITH GLUE STRIP

Length: 4.11 feet Pack: 1 pc.

h/in.	Part no.	\$/pc.
1 $\frac{3}{16}$ × 1 $\frac{3}{16}$	364-280-03015	69.24
1 $\frac{3}{8}$ × 1 $\frac{3}{8}$	364-280-04015	92.94
2 $\frac{3}{25}$ × 2 $\frac{3}{25}$	364-280-06015	102.11

STAINLESS STEEL 8.0 BRUSHED, WITHOUT GLUE STRIP

Length: 8.0 feet Pack: 1 pc.

h/in.	Part no.	\$/pc.
1 $\frac{3}{16}$ × 1 $\frac{3}{16}$	448-280-03025	100.14
1 $\frac{3}{8}$ × 1 $\frac{3}{8}$	448-280-04025	126.55
2 $\frac{3}{25}$ × 2 $\frac{3}{25}$	448-280-06025	152.89

STAINLESS STEEL 6.7 BRUSHED, WITHOUT GLUE STRIP

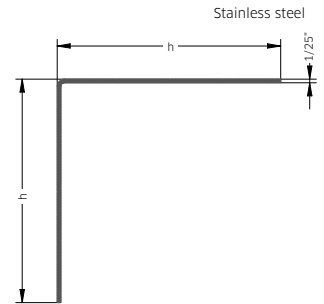
Length: 6.7 feet Pack: 1 pc.

h/in.	Part no.	\$/pc.
1 $\frac{3}{16}$ × 1 $\frac{3}{16}$	448-280-0302	84.35
1 $\frac{3}{8}$ × 1 $\frac{3}{8}$	448-280-0402	109.66
2 $\frac{3}{25}$ × 2 $\frac{3}{25}$	448-280-0602	133.79

STAINLESS STEEL 4.11 BRUSHED, WITHOUT GLUE STRIP

Length: 4.11 feet Pack: 1 pc.

h/in.	Part no.	\$/pc.
1 $\frac{3}{16}$ × 1 $\frac{3}{16}$	448-280-03015	60.10
1 $\frac{3}{8}$ × 1 $\frac{3}{8}$	448-280-04015	86.55
2 $\frac{3}{25}$ × 2 $\frac{3}{25}$	448-280-06015	95.20



BLANKE CORNER ANGLE PLUS

The BLANKE CORNER ANGLES are designed where tiled wall corners need to be protected from mechanical impact in industrial and professional environments. The stainless steel profile creates a strong edge with a clean and decorative finish for outside wall corners.

STAINLESS STEEL 8.0 BRUSHED, WITHOUT GLUE STRIP

Length: 8.0 feet Pack: 1 pc.

h/in.	Part no.	\$/pc.
1 $\frac{3}{16}$ × 1 $\frac{3}{16}$	451-280-03025	154.08
1 $\frac{3}{8}$ × 1 $\frac{3}{8}$	451-280-04025	188.33

STAINLESS STEEL 6.7 BRUSHED, WITHOUT GLUE STRIP

Length: 6.7 feet Pack: 1 pc.

h/in.	Part no.	\$/pc.
1 $\frac{3}{16}$ × 1 $\frac{3}{16}$	451-280-03020	120.18
1 $\frac{3}{8}$ × 1 $\frac{3}{8}$	451-280-04020	152.54

